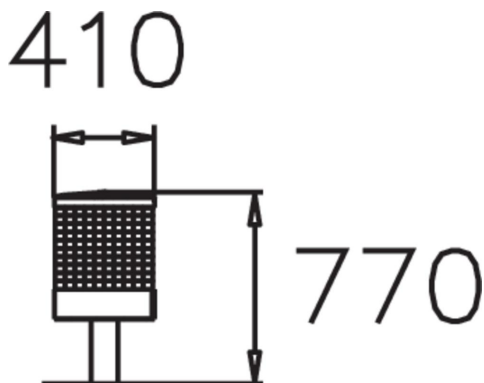


WILLIAM LITTER BIN



Medium-sized litter bin with lid. William is a medium-sized litter bin with a tight-fitting lid. This 55-litre bin is made from 3 mm powder-coated steel. For fixing, the litter bin is set in poured foundations with the accompanying central post (108 mm) or with the fixing plate.



Product length, mm	410
Product width, mm	410
Product height, mm	770
Foundation options	deep_mounting
Metal	