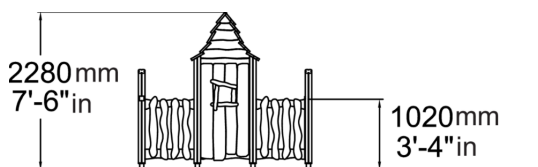
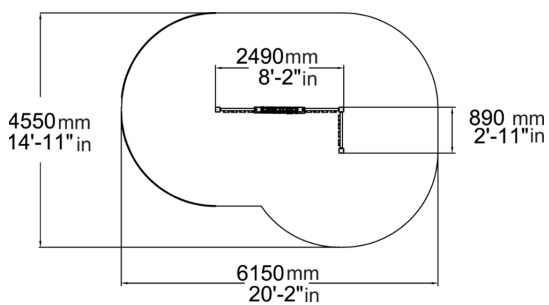


NA175584M

# FLORA FACADE (ASTM CSA)



Flora Facade (NA175584M) complies with the ASTM and CSA standards. With three fence walls and a turret, the modifiable facade is an impressive feature. The facade can be used as a fence, partition element or as a stage for a puppet theatre. The fence section is easy to extend with additional fence and post packs. Children remain in full view for supervision through the fence pickets. The supporting fence and turret elements can be installed in the direction of your choice. Once installed, the bottom of the window frame is at the height of approx. one metre. Use the basic product and additional elements and features to build your own design according to your needs. This product does not require impact attenuating surfacing.



Number of users	6
Product length, mm	2490
Product width, mm	890
Product height, mm	2280
Height required, mm	3780
Safety info	ASTM F1487, CSA Z614
Installation time (for 1), H	1
Foundation options	deep_mounting surface_mounting
Wood	
Metal	
Colour of walls and HPL	