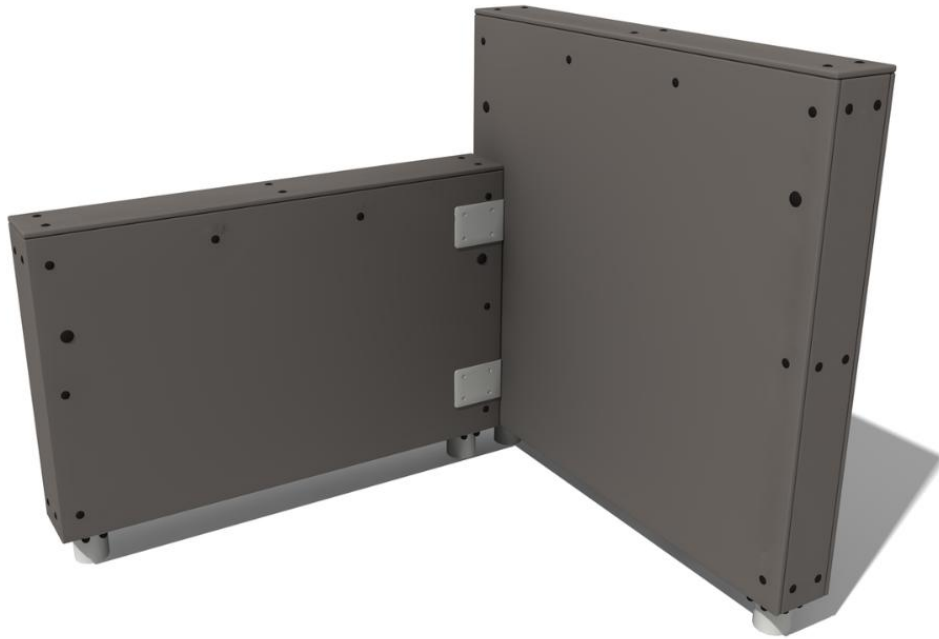
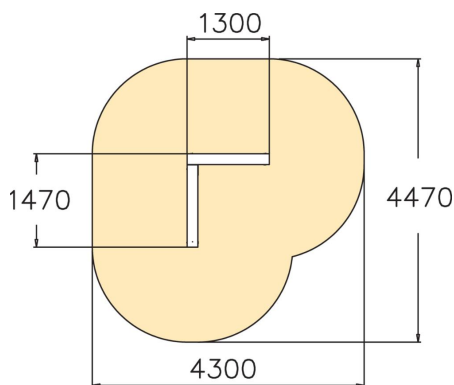
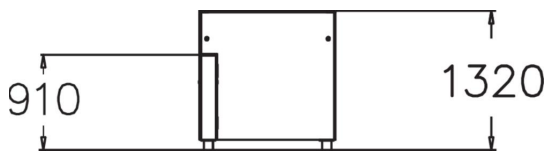


WALL COMBINATION M



The Wall Combination comprises two walls of different heights (910 mm and 1,320 mm), forming a corner. It can be used for practising vaults, jumps, wall runs, balances and tic tacs. Walls are a basic element of parkour.



User age	6
Number of users	2
Product length, mm	1300
Product width, mm	1470
Product height, mm	1320
Impact area, m ²	15.4
Falling space, m ²	15.4
Height required, mm	3120
Max. free fall height, mm	1320
Safety info	EN 1176-1 TÜV
Installation time (for 1), H	3
Foundation options	deep_mounting surface_mounting