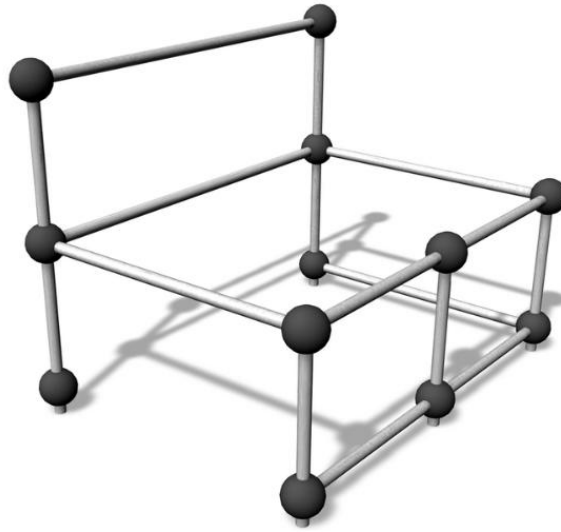
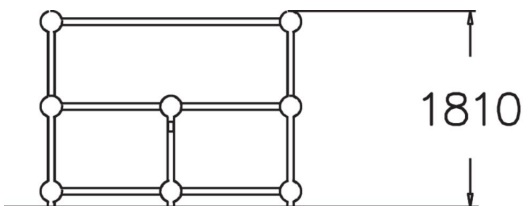
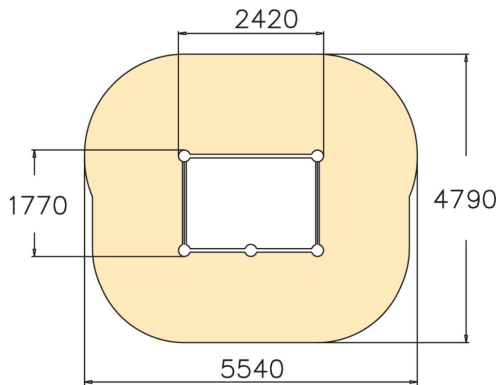


VAULT CAGE M



The Vault Cage can be used for practising vault series, underbars and jumps. The bars placed at different heights provide a challenge. The total height is 1810 mm. The Cloxx Parkour products conform to the European Standard for Playground equipment EN 1176, so they are suitable for schoolyards and playgrounds.



User age	10
Number of users	5
Product length, mm	2420
Product width, mm	1770
Product height, mm	1810
Impact area, m ²	23.6
Falling space, m ²	23.6
Height required, mm	2760
Max. free fall height, mm	1745
Safety info	EN 1176-1 TÜV
Installation time (for 1), H	7
Foundation options	deep_mounting surface_mounting