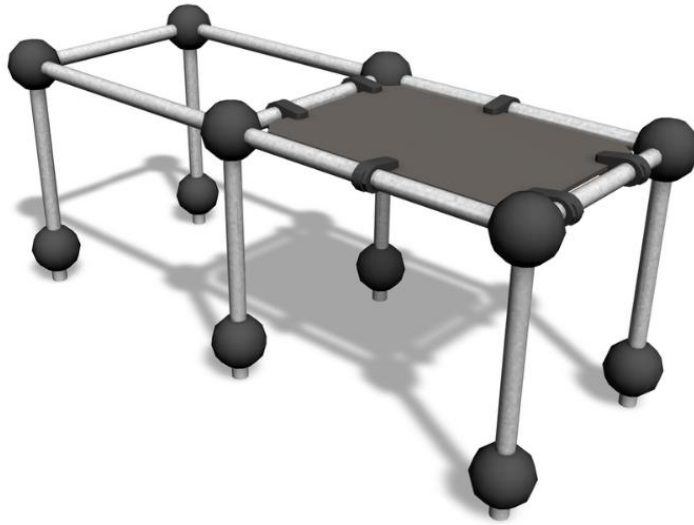
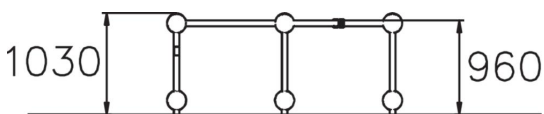
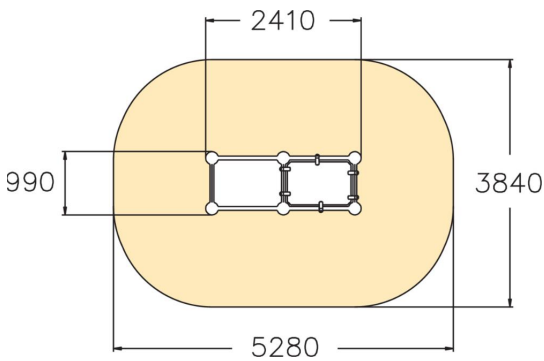


VAULT BOX (GREY)



The equipment consists of six metal posts and one platform placed at 960 mm. The Vault Box M is excellent for younger and more advance parkourists alike. It can be used for practising vaults and jumps, or as a landing platform. The Cloxx Parkour products conform to the European Standard for Playground equipment EN 1176, so they are suitable for schoolyards and playgrounds.



User age	10
Number of users	2
Product length, mm	2410
Product width, mm	990
Product height, mm	1030
Impact area, m ²	18.2
Falling space, m ²	18.2
Height required, mm	2830
Max. free fall height, mm	960
Safety info	EN 1176-1 TÜV
Installation time (for 1), H	7
Foundation options	deep_mounting surface_mounting
Metal	
Colour of walls and HPL	