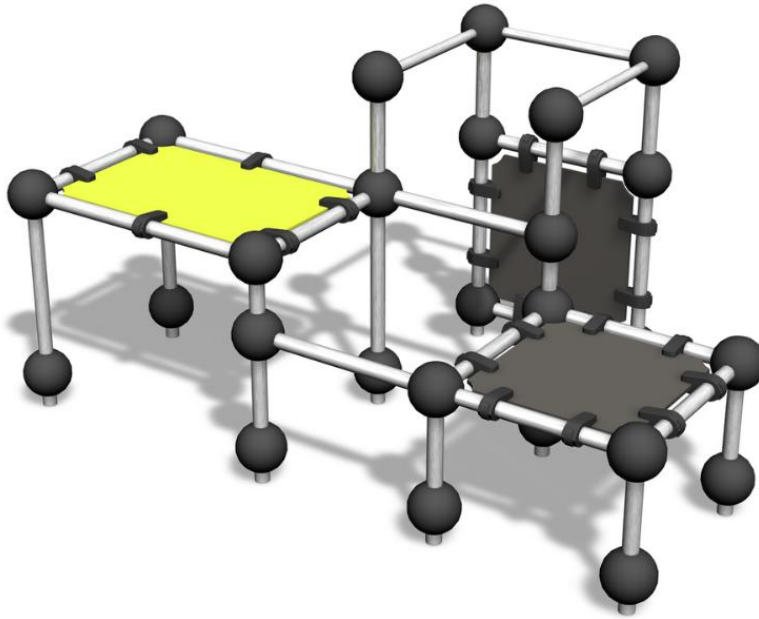
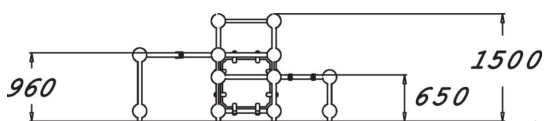
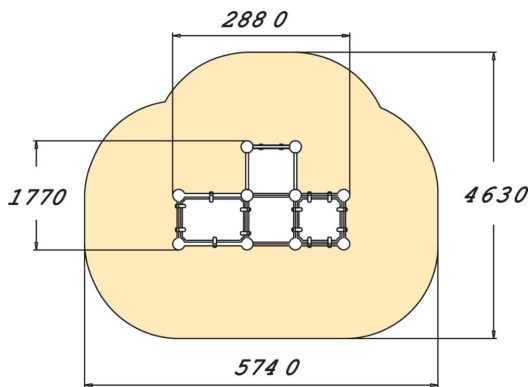


SPIDER CAGE XS



Parkour frame suitable for a small space. The frame holds two platforms at different heights (650 mm and 960 mm), a wall and hanging bars. There are sections for hanging, climbing over, passing under and jumping. The frame is made of a hot-dip galvanised steel tube measuring 60 mm in diameter. The Cloxx Parkour products conform to the European Standard for Playground equipment EN 1176, so they are suitable for schoolyards and playgrounds.



User age	6
Product length, mm	2880
Product width, mm	1770
Product height, mm	1500
Impact area, m <sup>2</sup>	22.1
Falling space, m <sup>2</sup>	22.1
Height required, mm	2760
Max. free fall height, mm	1435
Safety info	EN 1176-1 TÜV
Installation time (for 1), H	16
Foundation options	Deep mounting Surface mounting