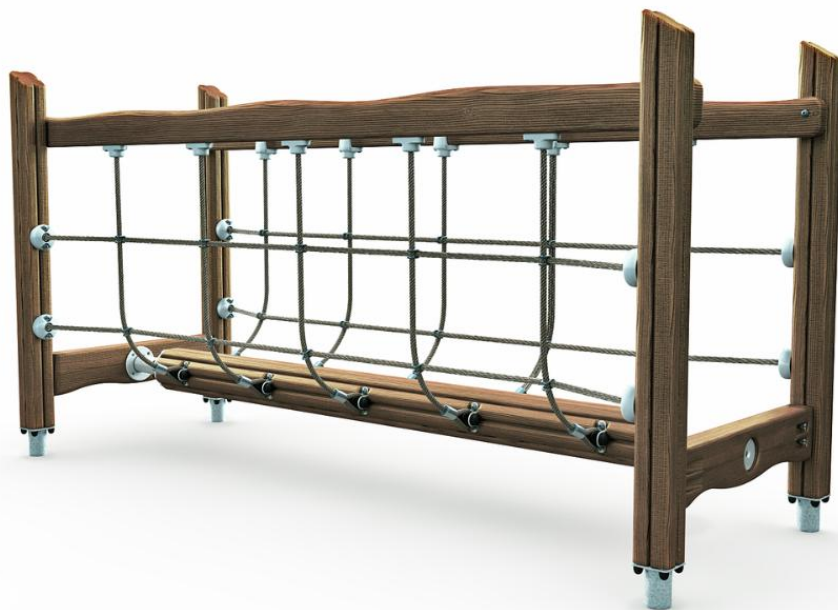
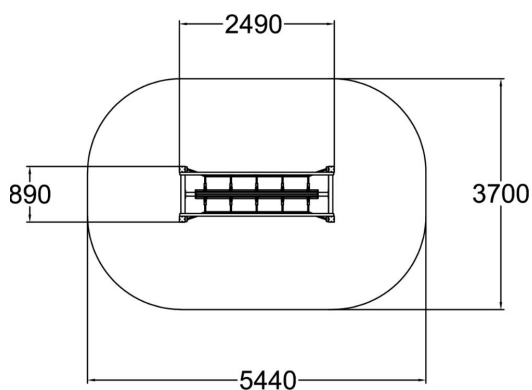



LUMBERJACK'S BRIDGE



The Lumberjack's Bridge is part of the Flora Adventure Trail product group, and it improves balance, coordination and core & body strength. The rounded beam guides the player to walk across the bridge, with or without the help of handrails. The rope net attached on the handrails make the crossing possible also without touching the beam. This product works the best as a part of a balancing route, for a wide age group. This equipment is a bridge with a longitudinal beam attached to the main frame. A rope net is attached to the beam from the handrails.



User age	3+
Number of users	4
Product length, mm	2490
Product width, mm	890
Product height, mm	1300
Falling space, m ²	18.2
Height required, mm	2050
Max. free fall height, mm	350
Installation time (for 1), H	2
Foundation options	deep_mounting
Wood	
Ropes	