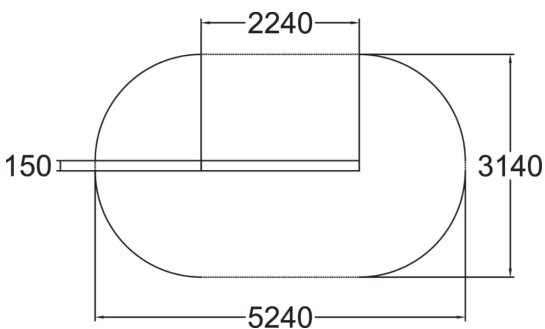




175022

Balancing Beam



A simple balance beam like this can be used in many ways, for example by installing several in a row to create diverse balancing routes, or placing them side by side to form an obstacle course. The beams can also be used to mark out different areas of a playground.



| | |
|-------------------------------|---|
| User age | 3+ |
| Number of users | 4 |
| Product length, mm | 2240 |
| Product width, mm | 150 |
| Product height, mm | 370 |
| Falling space, m ² | 14.5 |
| Height required, mm | 2170 |
| Max. free fall height, mm | 370 |
| Safety info | EN 1176-1 TÜV |
| Installation time (for 1), H | 1 |
| Foundation options | deep_mounting |
| Wood |  |
| Metal |  |