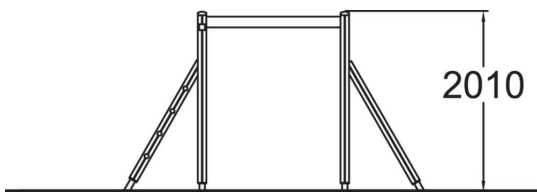
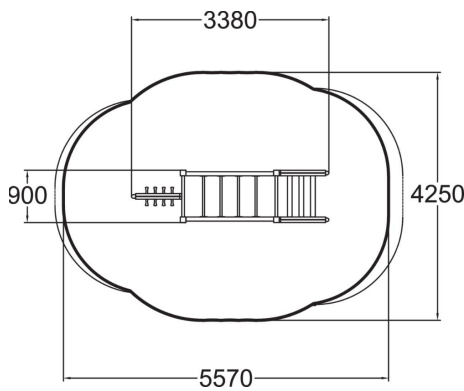


175005

Climbing Frame



Climbing frame suitable for small space with two ladders and monkey bars. Thanks to its design, it is an excellent part of a sporty track for school yards. Climbing develops children's sense of balance and strength.



User age	3+
Number of users	3
Product length, mm	3380
Product width, mm	900
Product height, mm	2010
Impact area, m ²	19.4
Falling space, m ²	20.8
Height required, mm	4030
Max. free fall height, mm	1950
Safety info	EN 1176-1 TÜV
Installation time (for 1), H	4
Foundation options	Deep mounting