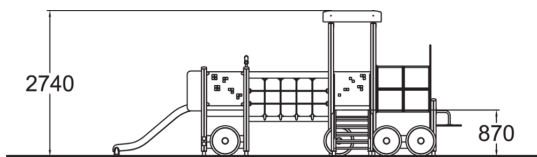
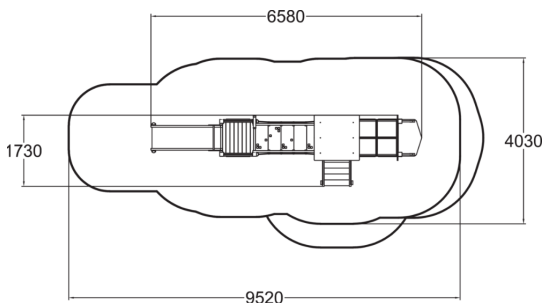
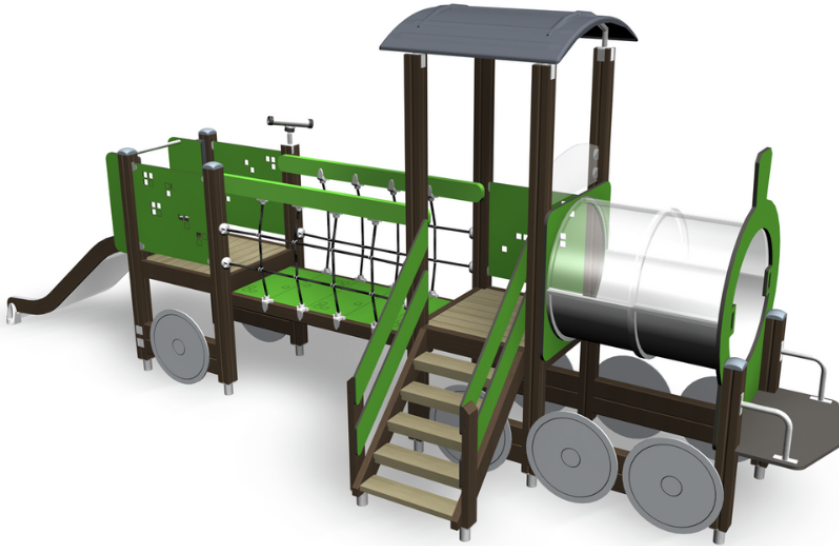
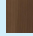


-  Bridges  
1
-  Climbing  
1
-  Roofs  
1
-  Slides  
1
-  Towers  
2



User age	2+
Number of users	10
Product length, mm	6580
Product width, mm	1730
Product height, mm	2740
Impact area, m <sup>2</sup>	32.2
Falling space, m <sup>2</sup>	35.6
Height required, mm	2740
Max. free fall height, mm	1000
Safety info	EN 1176-1, 3 TÜV
Installation time (for 1), H	23
Foundation options	deep_mounting
Wood	
Colour of walls and HPL	