
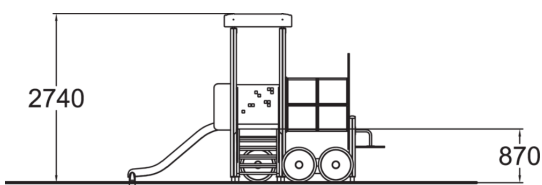
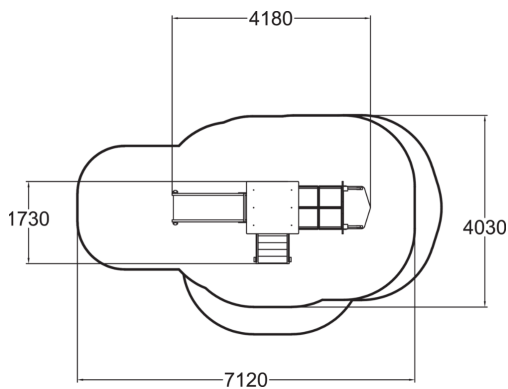



-  Climbing
1
-  Roofs
1
-  Slides
1
-  Towers
1



User age	2+
Number of users	6
Product length, mm	4180
Product width, mm	1730
Product height, mm	2740
Impact area, m ²	23.1
Falling space, m ²	26.7
Height required, mm	2740
Max. free fall height, mm	1000
Safety info	EN 1176-1, 3 TÜV
Installation time (for 1), H	15.5
Foundation options	deep_mounting
Wood	
Colour of walls and HPL	