



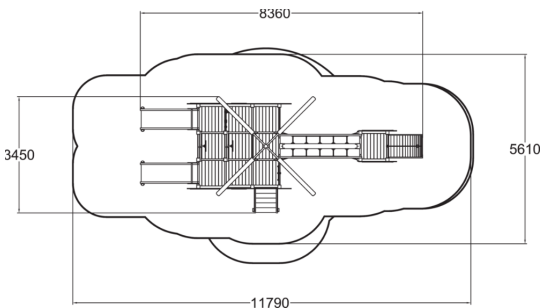
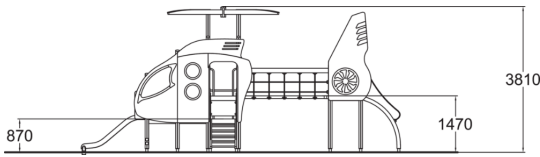


-  Bridges
1
-  Climbing
1
-  Play panels
6
-  Slides
2
-  Towers
3



User age	3+
Number of users	25
Product length, mm	8360
Product width, mm	3450
Product height, mm	3810
Impact area, m ²	52
Falling space, m ²	55.1
Height required, mm	3810
Max. free fall height, mm	1470
Safety info	EN 1176-1, 3 TÜV
Installation time (for 1), H	18
Foundation options	deep_mounting
Wood	