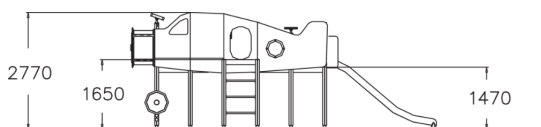
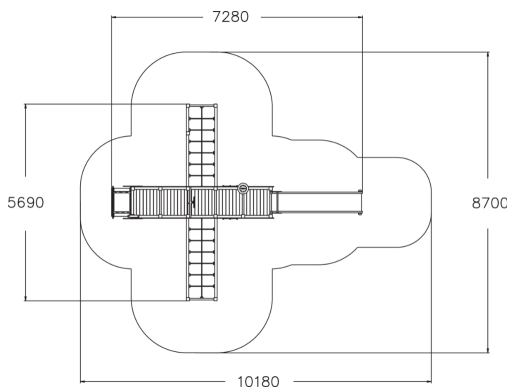
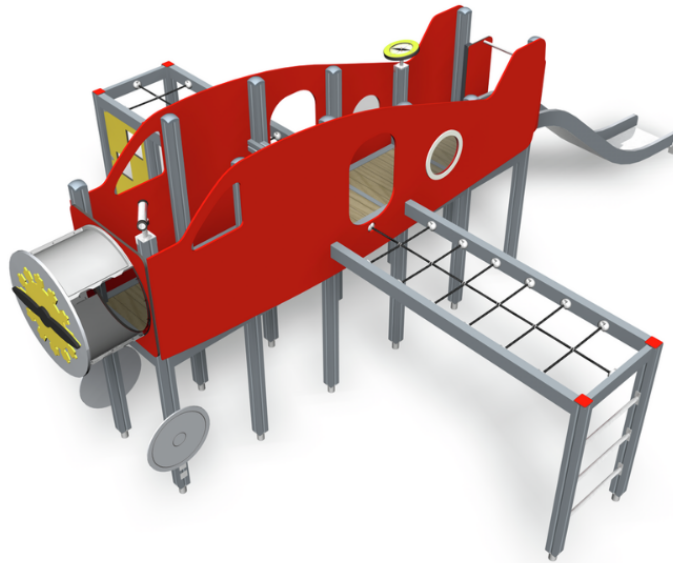



-  Bridges
1
-  Climbing
4
-  Play panels
2
-  Slides
1
-  Towers
1



User age	3+
Number of users	10
Product length, mm	7280
Product width, mm	5690
Product height, mm	2770
Impact area, m ²	51.9
Falling space, m ²	51.9
Height required, mm	3270
Max. free fall height, mm	1650
Safety info	EN 1176-1, 3 TÜV
Installation time (for 1), H	9
Foundation options	deep_mounting
Wood	
Ropes	