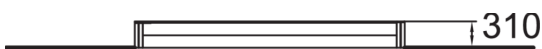
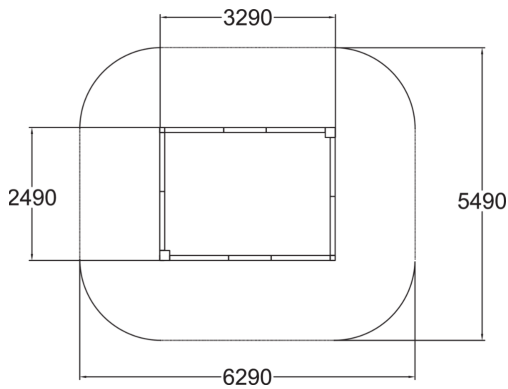


137404M
Sandbox



A wooden sandbox with clean lines, 2,490 mm x 3,290 mm in size. With its wide side walls, topped with HPL paneling, this sandbox offers children an opportunity to test their balance, as well as providing a comfortable seat for adults. The opposite corners of the sandbox are equipped with effect coloured HPL plates for seating or sand cakes. The HPL paneling is durable against wear and different weather conditions, and it is easy to wipe clean from sand and water. The sandbox offers children a good opportunity to use their imagination and improve their three-dimensional perception.



User age	1+
Number of users	14
Product length, mm	3290
Product width, mm	2490
Product height, mm	310
Falling space, m ²	32.6
Height required, mm	2110
Max. free fall height, mm	310
Safety info	EN 1176-1 TÜV
Installation time (for 1), H	2
Foundation options	deep_mounting
Wood	
Colour of walls and HPL	