
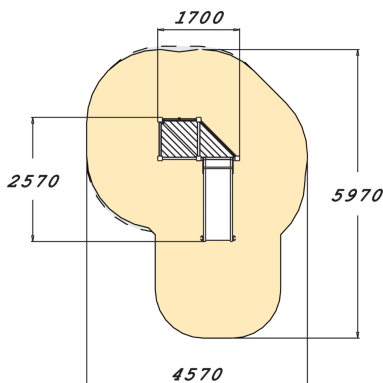
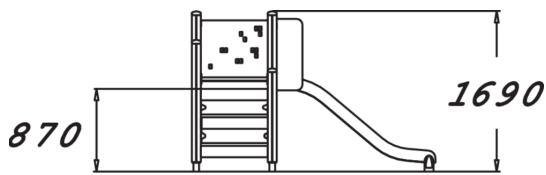




-  Climbing
1
-  Play panels
1
-  Slides
1
-  Towers
1



Playground product with a climbing frame with triangular steps to a 870 mm high platform and a small slide.



User age	1+
Number of users	5
Product length, mm	1700
Product width, mm	2570
Product height, mm	1690
Impact area, m ²	20
Falling space, m ²	20.2
Height required, mm	2670
Max. free fall height, mm	1000
Safety info	EN 1176-1, 3 TÜV
Installation time (for 1), H	6
Foundation options	deep_mounting surface_mounting
Wood	
Metal	
Colour of walls and HPL	