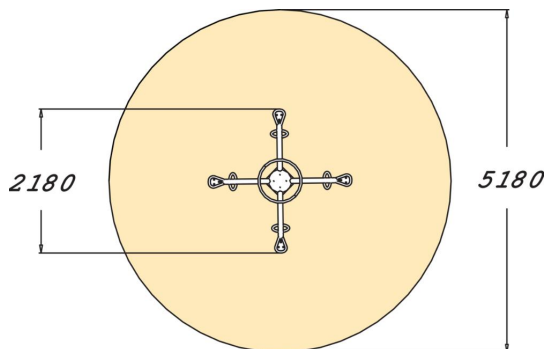
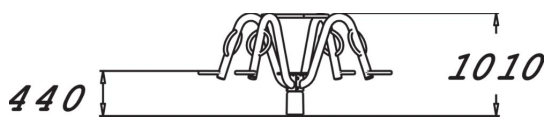


A rotating play equipment for four persons, with benches rotating around a pole and moving up and down. The benches are located at a height of 440 mm. A round plate in the middle of the equipment provides standing room for riders. Whirling around in the play equipment offers children a fun way of developing their sense of balance.



User age	4+
Number of users	5
Product length, mm	2180
Product width, mm	2180
Product height, mm	1010
Impact area, m ²	21
Falling space, m ²	21
Height required, mm	2000
Max. free fall height, mm	1000
Safety info	EN 1176-1, 6 TÜV
Installation time (for 1), H	4
Foundation options	Deep mounting Surface mounting
Metal	
Colour of walls and HPL	