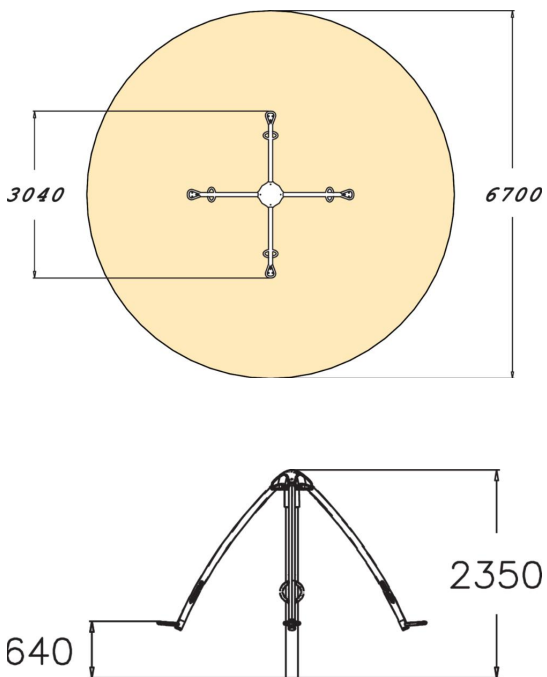




A rotating playequipment for four persons, with benches rotating around a pole and moving up and down. The benches are located at a height of 640mm. Whirling around in the equipment offers children a fun way of developing their sense of balance.



User age	6+
Number of users	4
Product length, mm	3040
Product width, mm	3040
Product height, mm	2350
Impact area, m ²	35.3
Falling space, m ²	35.3
Height required, mm	2350
Max. free fall height, mm	1000
Safety info	EN 1176-1, 6 TÜV
Installation time (for 1), H	4
Foundation options	deep_mounting surface_mounting
Metal	
Colour of walls and HPL	