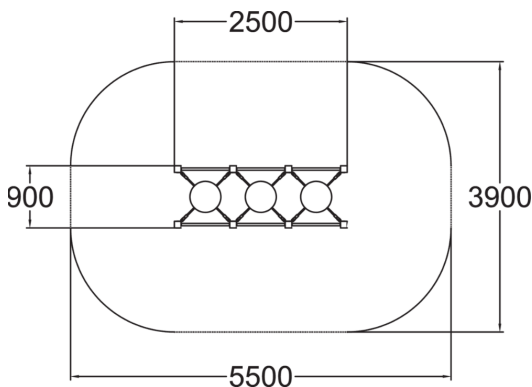
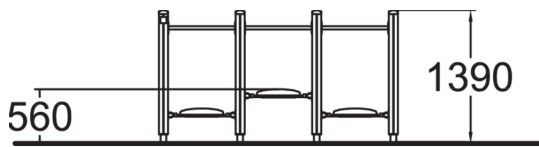


Balancing Bridge



Encouraging agility and balance, the Balancing Bridge is ideal for children aged 3+ and up. With a maximum fall height of 560 mm, this balancing equipment is perfect for schoolyards and public spaces, promoting exploration and group interaction.



User age	3+
Number of users	5
Product length, mm	2500
Product width, mm	900
Product height, mm	1390
Falling space, m ²	19.5
Height required, mm	2300
Max. free fall height, mm	560
Safety info	EN 1176-1 TÜV
Installation time (for 1), H	6
Foundation options	deep_mounting surface_mounting
Wood	
Metal	