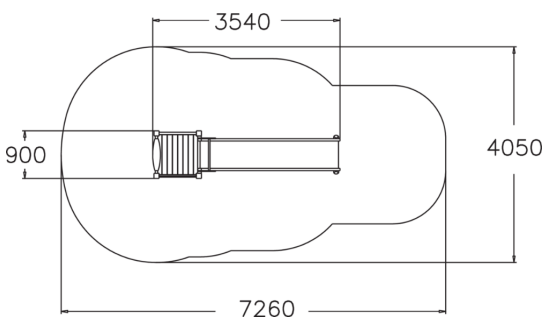
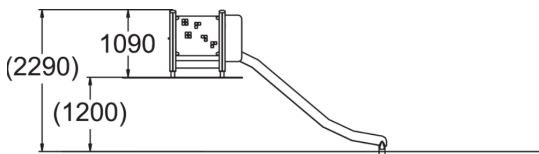
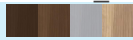





The Embankment Slide is designed for children aged 2+ and above, with a safe maximum fall height of 1000 mm. Perfect for kindergartens, schoolyards, and public parks, this product encourages confidence and coordination in a playful environment.



User age	2+
Number of users	7
Product length, mm	3540
Product width, mm	900
Product height, mm	2290
Impact area, m ²	23
Falling space, m ²	23
Height required, mm	3270
Max. free fall height, mm	1000
Safety info	EN 1176-1, 3 TÜV
Installation time (for 1), H	6
Foundation options	deep_mounting surface_mounting
Wood	
Metal	
Colour of walls and HPL	