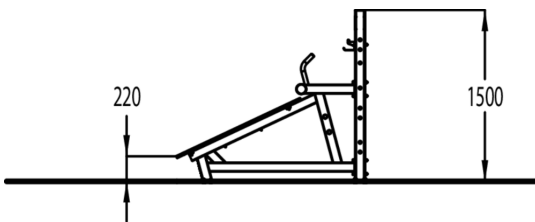
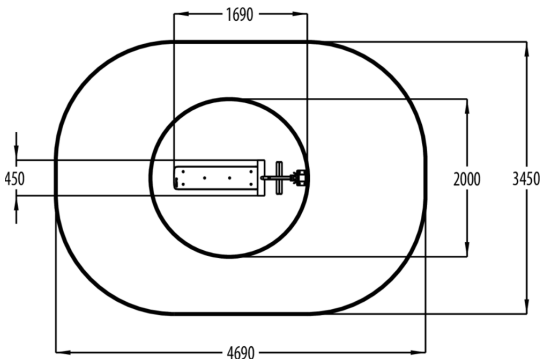


Sisu Sit up



Sisu Sit Up is a fixed, tilted abdominal bench suitable for different variations of sit-ups, abdominal crunches and leg raises. A rack for a drink bottle and for hanging clothes is included.



Number of users	1
Product length, mm	1670
Product width, mm	460
Product height, mm	1510
Height required, mm	2000
Safety info	EN 16630 TÜV
Installation time (for 1), H	2
Foundation options	surface_mounting
Metal	
Colour of walls and HPL	