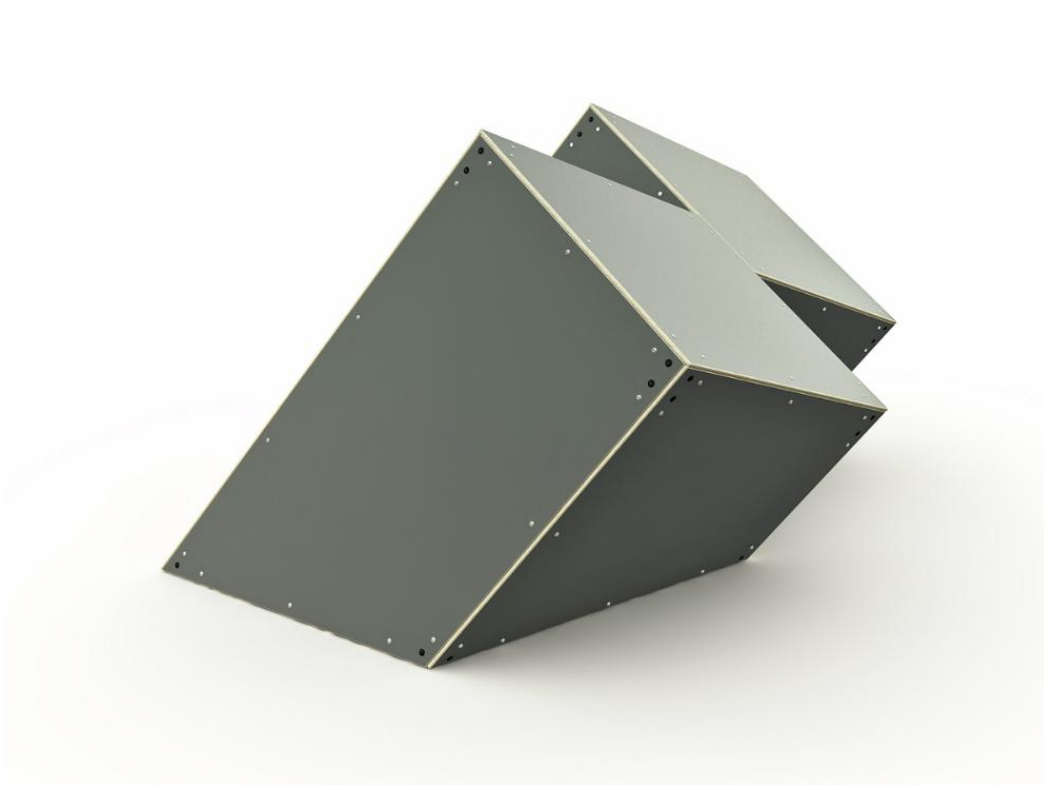
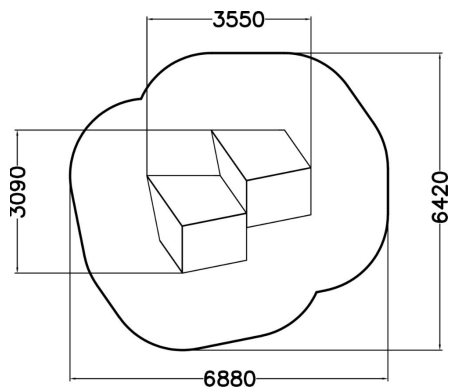
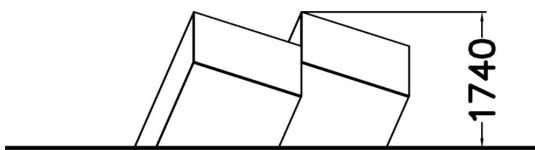


Block Double M



Combination of two M size blocks form an inspiring piece that really invites to try out what it has to offer. The combination of the blocks provide multidirectional surfaces that enable a lot of variety in training different wall techniques, take offs, landings and climbing. Block elements are super valuable when placed in the middle of other products as you can approach them from basically any direction and always get a good grip thanks to the inclined anti-slip surface.



Product length, mm	3550
Product width, mm	3090
Product height, mm	1740
Falling space, m ²	34.5
Height required, mm	3840
Max. free fall height, mm	1740
Safety info	EN 16899 TÜV
Foundation options	Deep mounting Surface mounting
Metal	