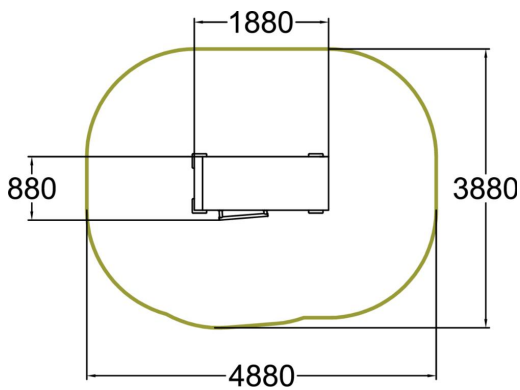
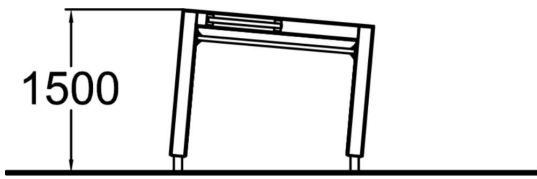




The Base M is another fundamental obstacle for parkour training with easy landings and pop-vaults, low wall techniques, hanging and climbing. The slanted design offers variety to training and makes the equipment inviting and inspirational. The surfacing provides perfect friction for parkour training regardless the weather conditions. Inner walls always have colored graphic elements. Colors are derived from other elements in the layout



Product length, mm	1880
Product width, mm	880
Product height, mm	1500
Falling space, m <sup>2</sup>	16.5
Height required, mm	3600
Max. free fall height, mm	1500
Safety info	EN 16899 TÜV
Foundation options	deep_mounting surface_mounting
Wood	<input checked="" type="checkbox"/>
Metal	<input type="checkbox"/>