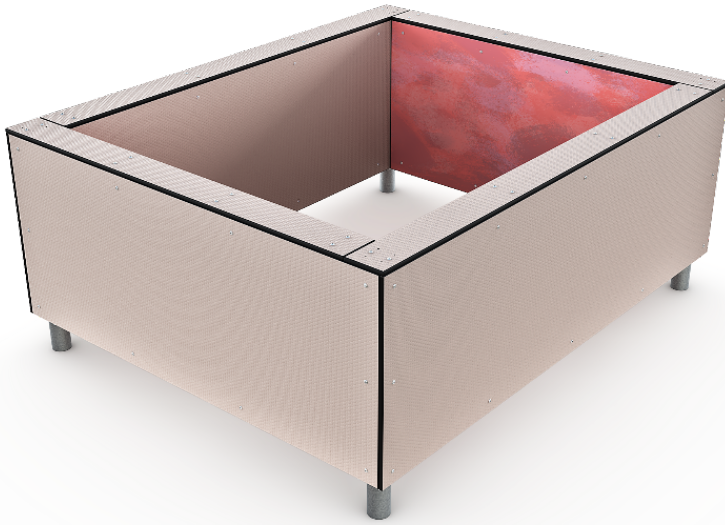
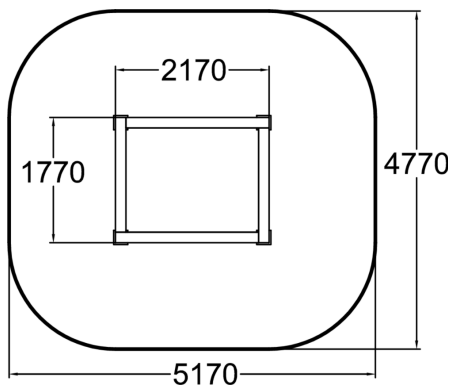


Vault Square



Little brother of Vault Square U is a perfect friend to go out vaulting with. Combine vaults, precision jumps, balancing. Four walls in one product provide endless chances for continuing movement especially when combined with other Dash Parkour products. It also offers intuitive loop for balancing drills and games. Inner walls always have coloured graphic elements. Colours are derived from other elements in the layout. Watch a wide selection of parkour techniques performed on Dash Parkour equipment. The playlist showcases how the products can be used in versatile ways: Watch the videos here.



Product length, mm	2170
Product width, mm	1770
Product height, mm	920
Falling space, m ²	22.7
Height required, mm	3020
Max. free fall height, mm	920
Safety info	EN 16899
Foundation options	<input type="checkbox"/> deep_mounting <input checked="" type="checkbox"/> surface_mounting
Wood	<input checked="" type="checkbox"/>
Metal	<input type="checkbox"/>