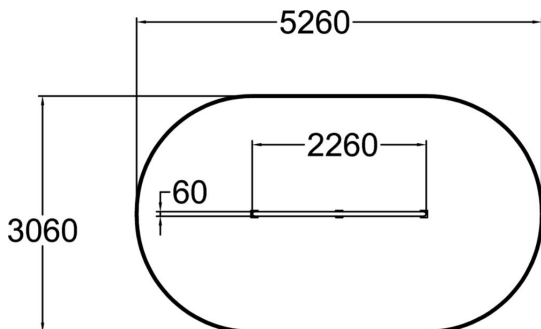




Rail Line's core functions are balancing (using 1-4 limbs), precision landings and take offs. The inclined shape of the rail makes it intuitive and inviting. The Rail Line is easy to place next to other equipment to create possibilities for movement combinations where precision and balance is needed. All Dash Parkour rails are made of galvanized steel pipe.



Product length, mm	2260
Product width, mm	60
Product height, mm	380
Falling space, m ²	14.2
Max. free fall height, mm	380
Safety info	EN 16899 TÜV
Foundation options	deep_mounting surface_mounting
Metal	