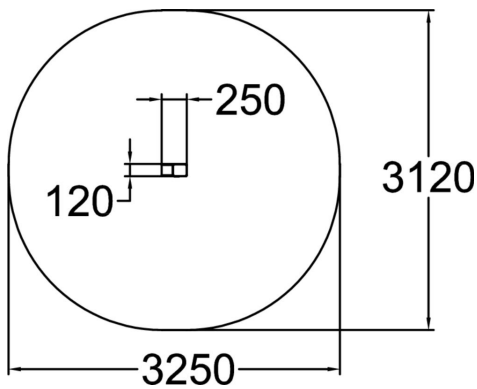




Dex step can be used for foot placement drills, landings and take offs using one or two feet. The small inclined surface provides chance for crane landings and creates unified look and feel with the other equipment in Dash Parkour. Dex step is made of galvanized steel tube structure and it's ready to be installed without assembling.



Product length, mm	250
Product width, mm	120
Product height, mm	200
Falling space, m ²	8.2
Height required, mm	2300
Max. free fall height, mm	200
Safety info	EN 16899 TÜV
Installation time (for 1), H	0.25
Foundation options	deep_mounting surface_mounting

Metal

