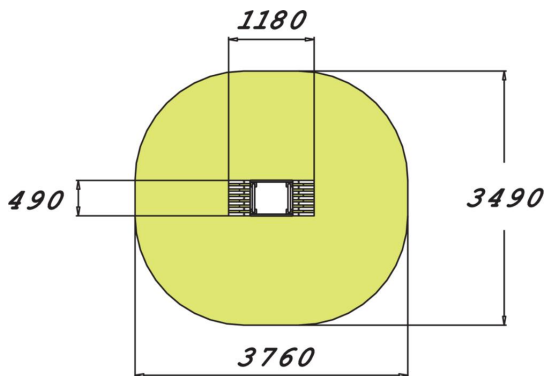
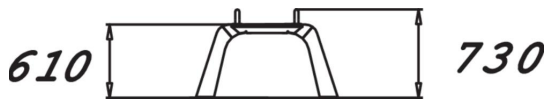


BENCH WORKOUT



Bench intended for seniors, with two hand grips. The bench height is 610 mm. It can be used for practising safe sitting down and standing up movements. It is also suitable for stretching.



Product length, mm	1180
Product width, mm	490
Product height, mm	730
Impact area, m ²	10.7
Falling space, m ²	10.7
Height required, mm	2410
Max. free fall height, mm	610
Safety info	EN 16630, EN 1176-1 TÜV
Installation time (for 1), H	2
Foundation options	Deep mounting Surface mounting