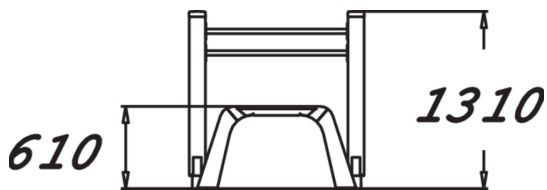
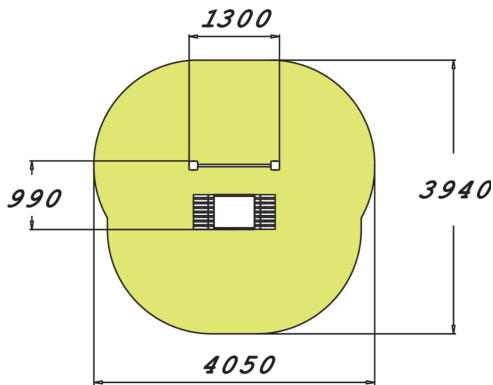




Fitness equipment intended for seniors, consisting of a bench and a support with two bars. The 620 mm high bench is excellent for practising safe sitting down and standing up movements. The equipment is suitable for people of different heights thanks to the supports being at two levels (1,020 mm and 1,180 mm).



Product length, mm	1300
Product width, mm	990
Product height, mm	1305
Impact area, m ²	10.7
Falling space, m ²	10.7
Height required, mm	2410
Max. free fall height, mm	610
Safety info	EN 16630, EN 1176-1 TÜV
Installation time (for 1), H	4
Foundation options	deep_mounting surface_mounting
Wood	
Metal	