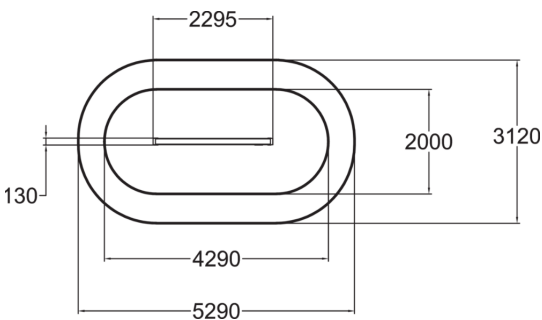
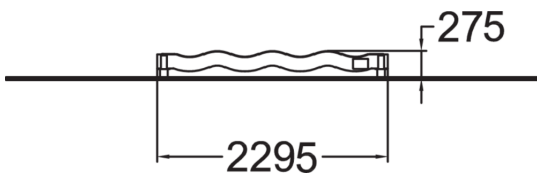




Curved wooden balancing beam intended for seniors. The beam is 130 mm wide, 275 mm high and 2,295 mm long. Balancing on the undulating beam develops the balance organs and the sense of balance. The importance of taking care of our muscles and balance becomes evident in many small things, from buttoning a shirt to travelling on public transport.



Product length, mm	2295
Product width, mm	130
Product height, mm	275
Max. free fall height, mm	275
Safety info	EN 16630, EN 1176-1 TÜV
Installation time (for 1), H	4
Foundation options	deep_mounting surface_mounting
Wood	