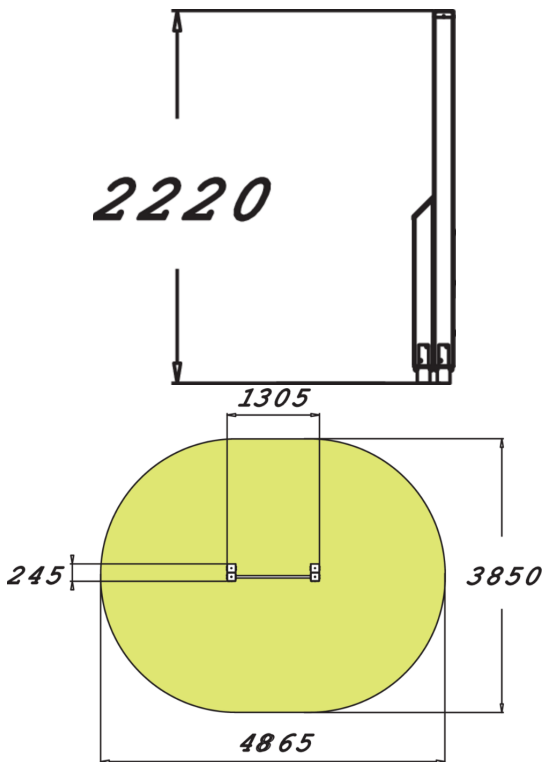




The set consists of five bars placed across two upright supports. The total height is 2,220 mm. The ladder can be used for various kinds of stretches and as an obstacle on various courses.



Product length, mm	245
Product width, mm	1305
Product height, mm	2220
Impact area, m ²	15.6
Height required, mm	3610
Max. free fall height, mm	2110
Safety info	EN 16630, EN 1176-1 TÜV
Foundation options	deep_mounting surface_mounting
Wood	
Metal	