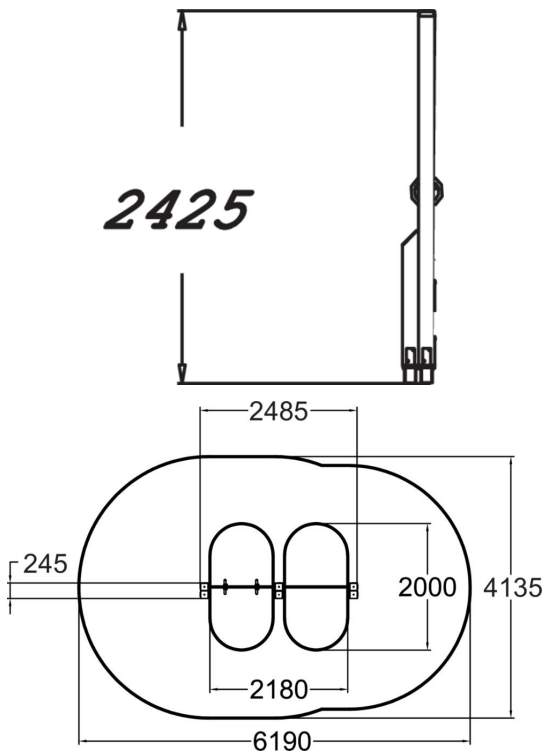


FLYING RINGS



The equipment consists of three vertical posts with two bars at different heights. The higher bar has gymnastic rings and the lower one can be used for chin-ups. The total height is 2,425 mm. The posts can be used by shorter exercisers to step up to the bars. The rings are suitable for doing ring dips or other gymnastic exercises.



User age	6+
Number of users	2
Product length, mm	2485
Product width, mm	245
Product height, mm	2425
Impact area, m ²	21.5
Height required, mm	2620
Max. free fall height, mm	2320
Safety info	EN 16630, EN 1176-1 TÜV
Installation time (for 1), H	4
Foundation options	Deep mounting Surface mounting