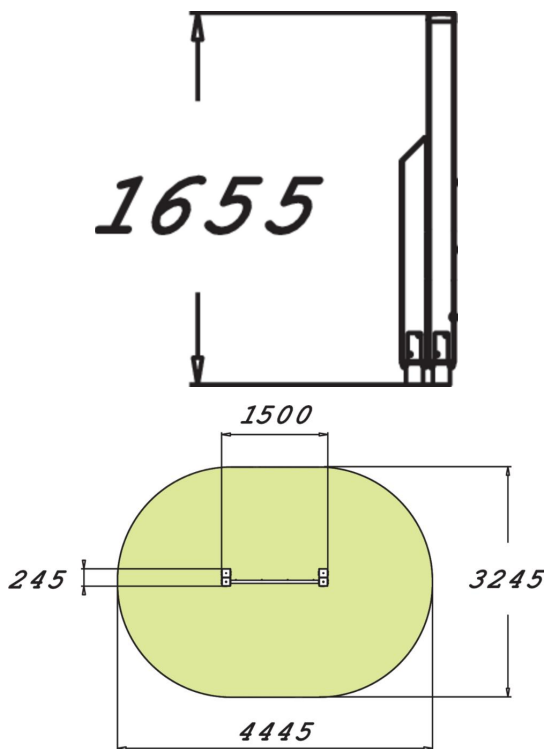


OBSTACLE WALL



The Obstacle Wall is a 1,655 mm wall consisting of a solid panel between two vertical posts. There is a gap beneath the panel, allowing you also to pass under the wall, for example on every other pass. Climbing a wall is a fun way of providing new forms of exercise, which is guaranteed to raise the heart rate!



Product length, mm	245
Product width, mm	1500
Product height, mm	1655
Impact area, m ²	13.7
Height required, mm	3155
Max. free fall height, mm	1645
Safety info	EN 16630, EN 1176-1 TÜV
Installation time (for 1), H	3
Foundation options	Deep mounting Surface mounting