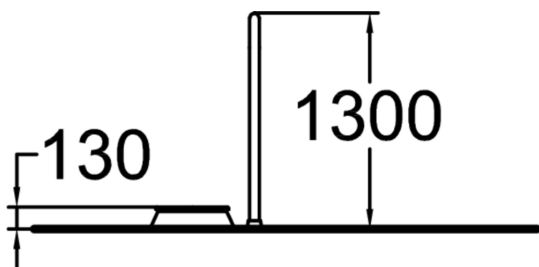
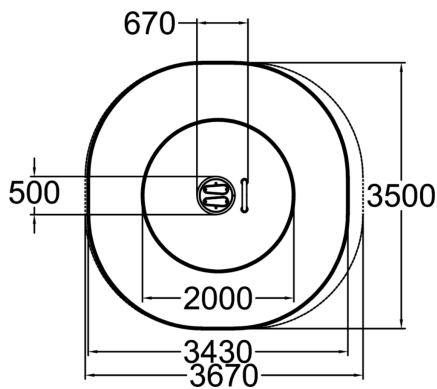


Core Twister



In Core twister the user stands on a round platform, which moves sideways and a bar to hold on to. The movement of the platform is limited to 100 degrees in both directions from the center line of the user's body - so it does not spin around like a children's carousel. Core twister is 305 mm high and the standing platform is 136 mm high. Core twister is perfect for core training improving the strength of core muscles and mobility. Core twister can be installed on loose fill material also.



Number of users	1
Product length, mm	670
Product width, mm	500
Product height, mm	1300
Falling space, m ²	10.9
Height required, mm	2330
Max. free fall height, mm	130
Safety info	EN 16630, EN 1176-1 TÜV
Foundation options	surface_mounting
Metal	