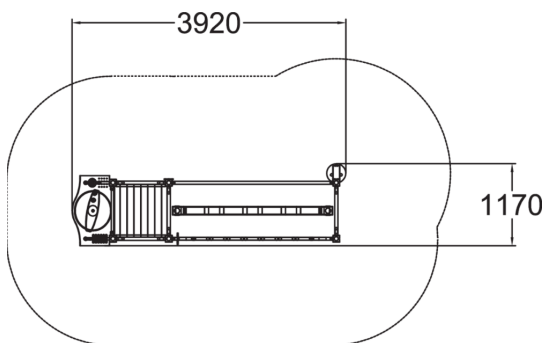
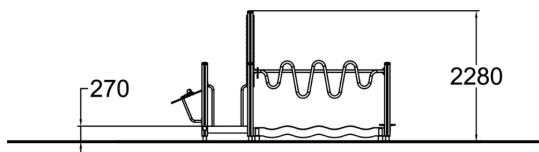




Balancing equipment with coordination training



User age	3
Number of users	14
Product length, mm	3920
Product width, mm	1170
Product height, mm	2250
Impact area, m ²	18
Falling space, m ²	31.9
Height required, mm	2070
Max. free fall height, mm	300
Safety info	EN 16630, EN 1176-1 TÜV
Installation time (for 1), H	7
Foundation options	deep_mounting surface_mounting
Wood	
Metal	
Colour of walls and HPL	