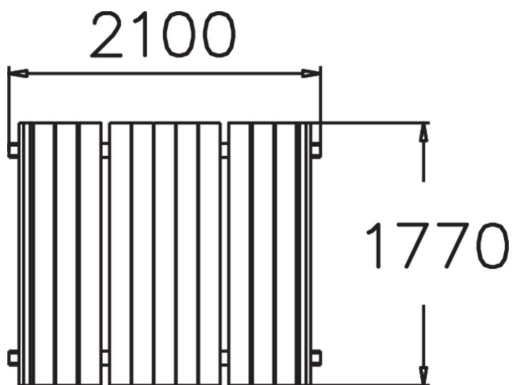
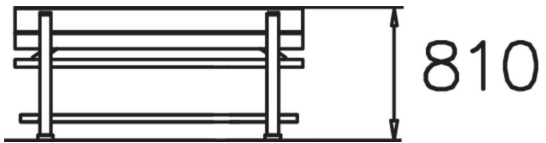



PARK WEEKEND PICNIC TABLE



| | |
|------------------------------|---|
| Number of users | 8 |
| Product width, mm | 2100 |
| Product height, mm | 800 |
| Installation time (for 1), H | 0 |
| Foundation options | free_standing |
| Wood |  |